

Convettori ventiladores

Fan coils units



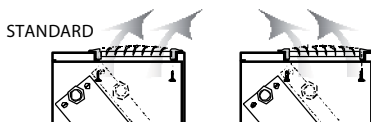
Mod. FC-C
Techo / Ceiling



Mod. FC-F
Suelo / Floor

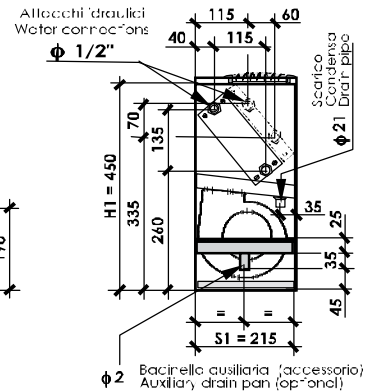
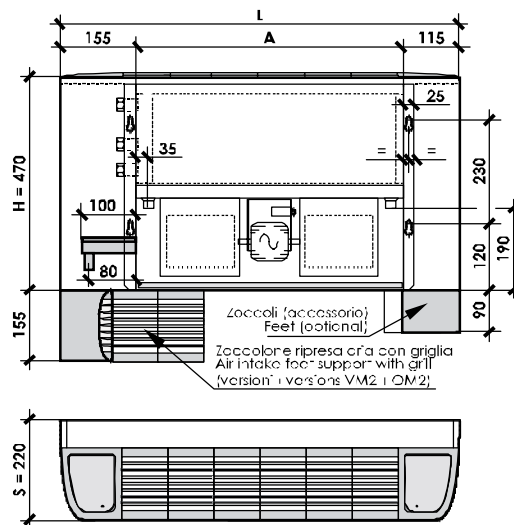


Mod. FC-D
Conducto / Ducted



Version con caja
Versions with cabinet (F;C)

El flujo del aire puede invertirse rotando la rejilla 180°
The air flow can be reversed by rotating the grill 180°.



Versioni con mobile
Versions with cabinet
H = 470 mm
S = 220 mm

Versioni senza mobile
Versions without cabinet
H1 = 450 mm
S1 = 215 mm

Allimentazione elettrica - Power supply: 230V -1Ph- 50Hz